



PRO SOD CUTTER

MODELS:

HSC185E

HSC188E



MAN 4172935
Rev. A 10-2015

OPERATORS MANUAL 4172936

 **SCHILLER** GROUNDS CARE

PARTS MANUAL

CALIFORNIA

Proposition 65 Warning

Diesel engine exhaust and some of its constituents are known to the State of California to cause cancer, birth defects and other reproductive harm.

⚠ WARNING

The engine exhaust from this product contains chemicals known to the State of California to cause cancer, birth defects or other reproductive harm.

CALIFORNIA

Proposition 65 Warning

Battery posts, terminals, wiring insulation, and related accessories contain lead and lead compounds, chemicals known to the State of California to cause cancer and birth defects or other reproductive harm.

WASH HANDS AFTER HANDLING.

PRO SOD CUTTER

IMPORTANT MESSAGE

Thank you for purchasing this Classen product. You have purchased a world class product, one of the best designed and built anywhere.

This product comes with Parts and Operator's Manuals. The useful life and good service you receive from this product depends to a large extent on how well you read and understand this manual. Treat this product properly and adjust it as instructed, and it will give you many years of reliable service.

See a Classen dealer for any service or parts needed. Classen service ensures that you continue to receive the best results possible from Classen products. You can trust Classen replacement parts because they are manufactured with the same high precision and quality as the original parts.

Classen designs and builds its equipment to serve many years in a safe and productive manner. For longest life, use this product only as directed in the manual, keep it in good repair and follow safety warnings and instructions. You'll always be glad you did.

Classen
1028 Street Road
Southampton, PA 18966

TABLE OF CONTENTS	FIGURES	PAGE
SAFETY.....		2, 3
SET-UP, MAINTENANCE.....		4
STORAGE.....		5
ADJUSTMENTS.....		6, 7
SPECIFICATIONS.....		8
PARTS SECTION.....		9
MAIN FRAME ASSEMBLY.....	FIGURE 1.....	10, 11
HANDLE ASSEMBLY.....	FIGURE 2.....	12, 13
CUTTER ASSEMBLY.....	FIGURE 3.....	14, 15
POWER TRAIN ASSEMBLY.....	FIGURE 4.....	16, 17
KITS.....		18, 19
WARRANTY.....		BACK COVER

NOTICE !!!

Unauthorized modifications may present **extreme** safety hazards to operators and bystanders and could also result in product damage.

Classen strongly warns against, rejects and disclaims any modifications, add-on accessories or product alterations that are not designed, developed, tested and approved by Classen Engineering Department. Any Classen product that is altered, modified or changed in any manner not specifically authorized after original manufacture—including the addition of “after-market” accessories or component parts not specifically approved by Classen—will result in the Classen Warranty being voided.

Any and all liability for personal injury and/or property damage caused by any unauthorized modifications, add-on accessories or products not approved by Classen will be considered the responsibility of the individual(s) or company designing and/or making such changes. Classen will vigorously pursue full indemnification and costs from any party responsible for such unauthorized post-manufacture modifications and/or accessories should personal injury and/or property damage result.



This symbol means:
ATTENTION!
BECOME ALERT!

Your safety and the safety of others is involved.

Signal word definitions:

The signal words below are used to identify levels of hazard seriousness. These words appear in this manual and on the safety labels attached to Classen machines. For your safety and the safety of others, read and follow the information given with these signal words and/or the symbol shown above.

DANGER

DANGER indicates an imminently hazardous situation which, if not avoided, **WILL** result in death or serious injury.

WARNING

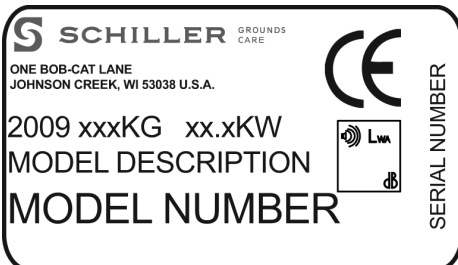
WARNING indicates a potentially hazardous situation which, if not avoided, **COULD** result in death or serious injury.

CAUTION

CAUTION indicates a potentially hazardous situation which, if not avoided, **MAY** result in minor or moderate injury. It may also be used to alert against unsafe practices or property damage.

CAUTION

CAUTION used without the safety alert symbol indicates a potentially hazardous situation which, if not avoided, **MAY** result in property damage



MODEL NUMBER: This number appears on sales literature, technical manuals and price lists.

SERIAL NUMBER: This number appears only on your machine. It contains the model number followed consecutively by the serial number. Use this number when ordering parts or seeking warranty information.

MAINTENANCE SAFETY

In general

- Maintain machine according to manufacturer's schedule and instructions for maximum safety and best results.
- Park machine on level ground.
- Never allow untrained personnel to service machine.
- Guards should only be removed by qualified maintenance technician for maintenance/service. Replace when work is complete.
- Adjust or repair only after the engine has been stopped and the blade has stopped moving.
- Disconnect spark plug wire(s) before doing any maintenance.
- Replace parts if worn, damaged or faulty. For best results, always replace with parts recommended by the manufacturer.
- Do not dismantle the machine without releasing or restraining forces which may cause parts to move suddenly.
- Provide adequate support, e.g. jack stands for lifted machine or parts if working beneath.
- Do not put hands or feet near or under rotating parts.
- Clean up spilled oil or fuel thoroughly.
- Replace faulty mufflers.
- To reduce fire hazards, keep the engine, muffler, and fuel storage area free of grass, leaves, debris buildup or grease.

Blades

The sod cutter blade is sharp and can cut. Use extra caution when handling. Remove obstructions with care. Wrap the blade or wear gloves.

- Only replace blade. Never straighten or weld.
- Keep other persons away from blades.



Fuel

- Petrol (gasoline) and diesel fuels are flammable; petrol (gasoline) vapors are explosive. Use extra care when handling.



- Store only in containers specifically designed for fuel.
- When refueling or checking fuel level:
 - Stop the engine and allow to cool;
 - Do not smoke;
 - Refuel outdoors only;
 - Use a funnel;
 - Do not overfill;
 - If fuel is spilled, do not attempt to start the engine until the spill is cleaned up and vapors have cleared.
- Replace caps on fuel containers and tanks securely.

Sparks from static electricity can start fires or cause explosions. Flowing fuel can generate static electricity.

To prevent static electricity sparks:

- Keep fuel containers electrically grounded. Do not fill containers in a vehicle or on a truck or trailer bed with a plastic liner. Fill containers on the ground away from the vehicle.
- When practical, remove petrol (gas) powered equipment from the truck or trailer and refuel it on the ground. If equipment must be refueled on the truck or trailer, refuel from a portable container rather than a dispenser nozzle.
- Keep the dispenser nozzle in contact with the rim of the fuel tank or container opening until fueling is complete. Do not use a nozzle lock-open device.

Storage Safety

- Stop the engine and allow to cool before storing.
- Drain the fuel tank outdoors only.
- Store fuel in an approved container in a cool, dry place.
- Keep the machine and fuel containers in a locked storage place to prevent tampering and to keep children from playing with them.
- Do not store the machine or fuel container near heating appliances with an open flame, such as a water heater, or an appliance with a pilot light.
- Keep gasoline (petrol) storage area free of grass, leaves and excessive grease to reduce fire hazard.
- Clean grass and debris from cutting units, drives, mufflers and engine to help prevent fires.

SET UP INSTRUCTIONS

To prevent injury, wear appropriate eye protection and stand clear when cutting banding. Banding is under tension and may snap back when cut.

1. Remove crate and sides.
Remove the banding attaching the sod cutter to the pallet.
2. Roll the sod cutter off the pallet.
3. Dispose of crating, and banding in a responsible manner.
4. Check the engine oil level, add if necessary and fill the fuel tank with fresh clean unleaded regular gasoline.

GENERAL MAINTENANCE

To keep the sod cutter in good operating condition, perform the following:

- Keep blade sharp; a sharp blade cuts cleaner, faster and more uniformly and places less load on the machine. Sharpen cutting edge on bevel or top side only.
- Keep drive belt at proper tension and free of oil and dirt at all times.
- Check engine oil level and air filter element daily.
- Check for loose bolts and connections.
- All grease fittings are pressurized type. Use a good grade Lithium Base Grease or equivalent. Grease eccentric arms sparingly every 4 hours of service, all others daily. Wipe off all grease fittings before and after each greasing (there are a total of 8 grease fittings).
- Check and adjust chain tension on the front drive wheels is tight, you will need to remove the chain guard. If tightening is required, loosen nuts and bolts on the 3/4" pillow block bearings and push the bearings toward the back of the sod cutter until chain is tight. Make sure both bearings go back evenly to keep jackshaft running even with the frame. Retighten nuts and bolts on the bearing and replace the chain guard.
- Engine (refer to manufacturer's owner's manual).

Engine Oil Level Check

1. BEFORE CHECKING OIL:
 - make certain the engine is level
 - the engine switch is in the OFF position
 - the sod cutter blade is NOT engaged
 - the drive wheels are disengaged.
2. Remove the filler cap/dipstick and wipe it clean.
3. Insert and remove the dipstick without screwing it into the filler neck. Check the oil level shown on the dipstick.
4. If the oil level is low, fill to the edge of the oil filler hole with the recommended oil. SAE 10W-30 is recommended for general use. Refer to engine oil recommendations in engine manual for other viscosities and information.
5. Screw in the filler cap/dipstick securely.

Transmission (Gearbox) Oil Level Check

(This unit is bolted to the engine)

1. Check the transmission oil level with the engine stopped and in a level position.
2. Remove the filler cap/dipstick and wipe it clean.
3. Insert and remove the dipstick without screwing it into the filler hole. Check the oil level shown on the dipstick.
4. If the oil level is low, add oil to reach the upper limit mark on the dipstick. Use the same oil that is recommended for the engine, SAE 10W-30.
5. Screw in the filler cap/dipstick securely.

HYDRO DRIVE OIL LEVEL CHECK

1. Check the Hydro Drive oil level with the engine stopped and in a level position.
2. If the oil level is low, add oil to reach the upper limit mark. Use SAE 20W50 oil.

STORAGE INSTRUCTIONS

⚠ WARNING

To prevent possible explosion or ignition of vaporized fuel, do not store equipment with fuel in tank or carburetor in enclosure with open flame (for example, a furnace or water heater pilot light).

Daily Storage

1. Check engine oil level and air filter element daily.
2. Check oil level in hydro drive. Hydro drive uses 20W50 oil.
3. Close fuel valve at bottom of fuel tank.
4. Clean cutting blade (grass, dirt, etc.).

Extended Storage

Before the equipment is put into storage for any period exceeding 30 days:

1. Drain all fuel from fuel tank and lines (use a hose or fuel line, routed from fuel tank shut-off to proper container).
2. Start engine and run until all fuel is used from the carburetor float bowl.
3. While engine is warm, check the transmission oil and refill with the proper weight of oil corresponding to the season when the equipment will next be used.
4. Remove the spark plug and squirt a small quantity of engine oil into the cylinder. Turn the engine over a few times to distribute the oil.
5. Lubricate all lubrication fittings.
6. Clean and oil cutting blade to prevent rust.

To put equipment into operation after an extended storage:

1. Fill fuel tank with clean fresh fuel.
2. Check crankcase oil level, and start engine.
3. Check fuel system for fuel leaks.

⚠ WARNING

When replacement parts are required, use genuine **Classten** parts or parts with equivalent characteristics, including type, strength and material. Failure to do so may result in product malfunction and possible injury to the operator and/or bystanders.

Carbon monoxide present in the exhaust is an odorless and deadly gas. Never start or run the engine inside where exhaust fumes can collect. Provide enough fresh air to keep fumes from getting too strong.

Replace any warning decal that becomes illegible immediately.

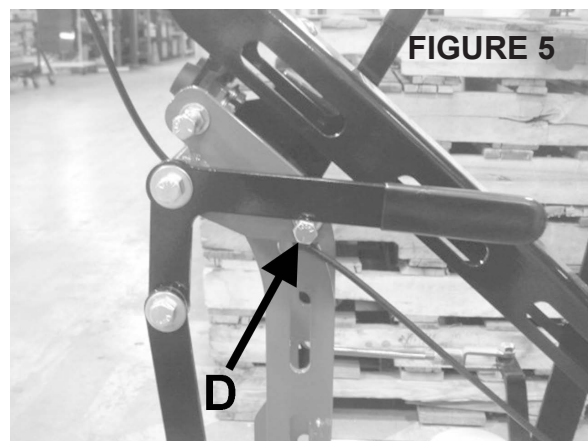
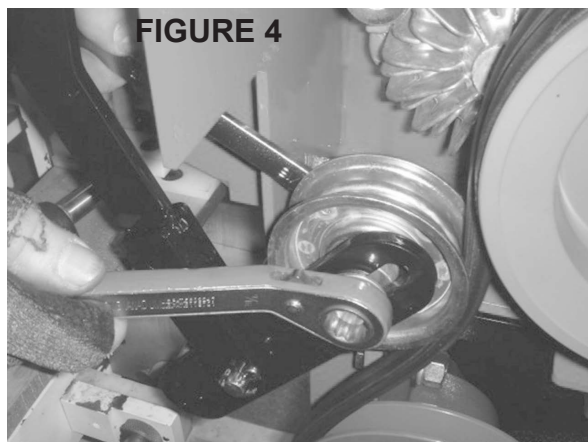
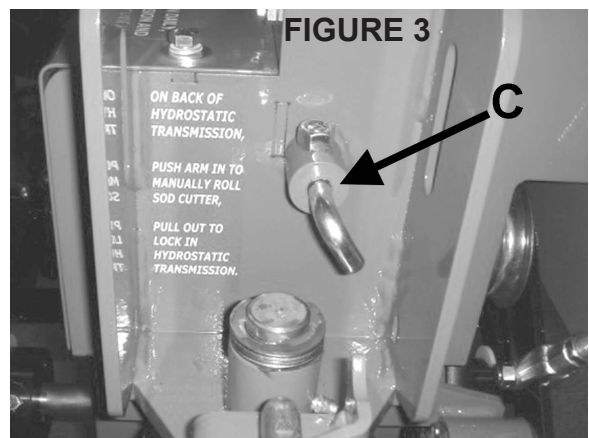
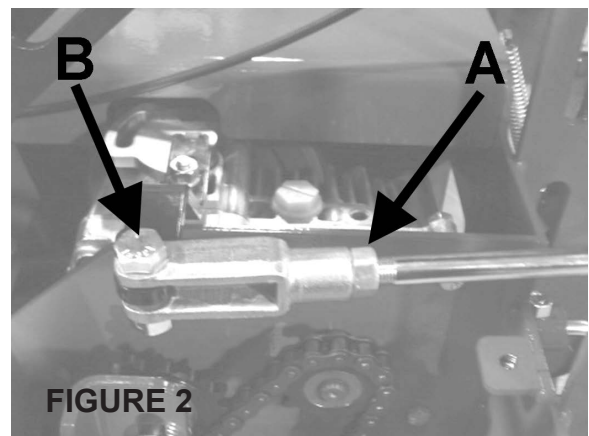
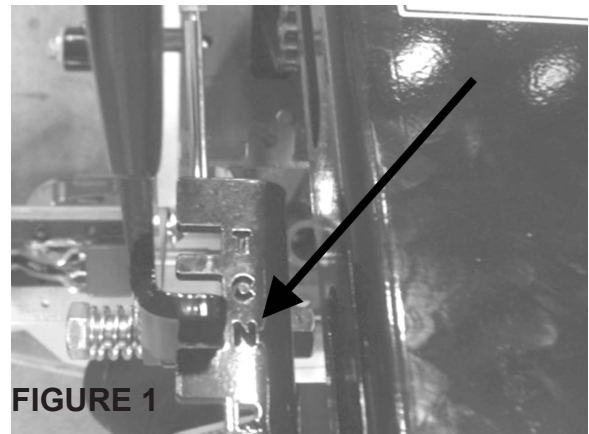


NEUTRAL ADJUSTMENT

1. Put shift lever in Neutral Position (N). **Figure 1**
2. Loosen locking nut A on clevis, then remove bolt B and turn the clevis one way or the other to adjust neutral. **Figure 2.**
3. To check neutral setting, reassemble with control in neutral. Start the engine and pull pin C out. **Figure 3.** Increase engine RPM. The machine should NOT move. If machine moves, then repeat Steps 1-3 until set properly.

BELT ADJUSTMENT

1. Remove belt cover.
2. Loosen the pulley and move up the slot for tighter belt tension. **Figure 4**
3. After tension has been adjusted, check the over center adjustment.
4. Loosen bolt D and move to where the lever snaps over center and stays engaged. **Figure 5** Note: Too much over center may cause the belt to get loose.
5. Reinstall belt cover.



BELT DISENGAGEMENT

1. Remove belt cover for access.
2. Move blade engagement lever until idler is about 1/8" to 1/4" away from the back plate **Figure 6**
3. Adjust stop bolt E to the lever with idle 1/8" to 1/4" from back plate. **Figure 7**
4. Reinstall belt cover.

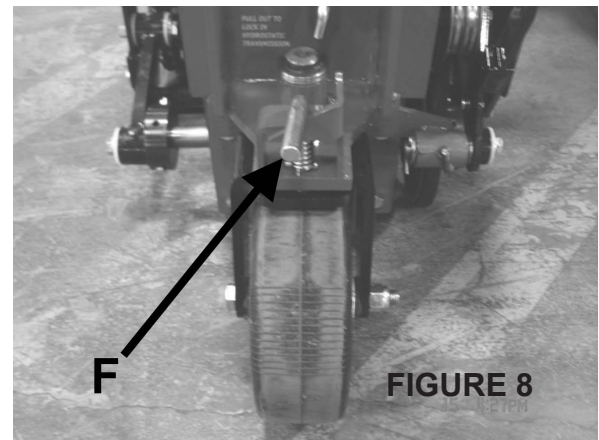
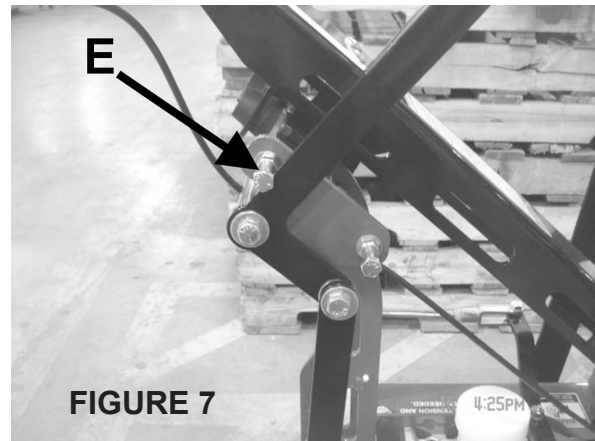
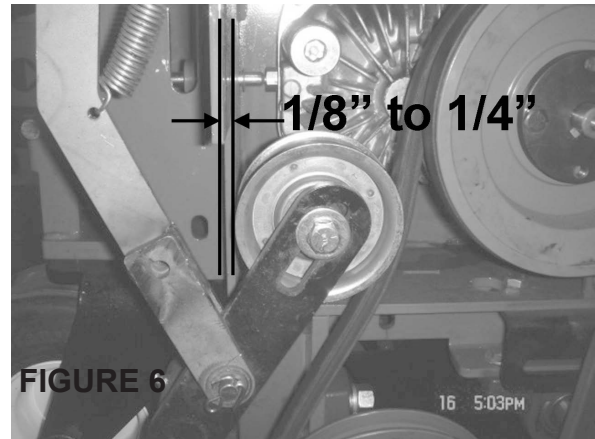
REAR WHEEL LOCK OR SWIVEL

To allow rear wheel to swivel:

1. Pull pin F up and turn. **Figure 8 & 9**

To lock rear wheel:

1. Turn pin F.
2. Move wheel back and forth until pin drops back into locking hole.



HSC185E & HSC188E

ENGINE

Model HSC185E.....4-cycle GX160 Honda
..... 9.9 cu. in. (163 cc)

Model HSC188E.....4-cycle GX240 Honda
..... 14.8 cu. in. (242 cc)

Starter..... Recoil

Governor..... 3400 RPM \pm 200 RPM, no load

Clutch spring loaded belt tightener type

REDUCTION

Engine to blade..... 3.03 to 1

Engine to drive wheels 57.2 to 1

WHEELS:

Drive 8 5/8" (219 mm) Dia. w/knobby
..... tread vulcanized to hub

Rear.... 8 x 1.75 (203 X 45mm) semi-pneumatic tires

CUTTING WIDTH:

HSC18..... 18"(45.7cm)

LUBRICATION

Hydro Drive.....20W50

Transmission (Gearbox).....10W30

Cutting depth up to 2-1/2"(6.35cm)

Blade speed 1200 RPM @ 3400 engine RPM

DIMENSIONS

Wheel Base22"(56cm)

HSC185E.....52"L x 38"H x 24.5"W
.....(132cm x 96cm x 62cm)

HSC188E.....55"L x 38"H x 24.5"W
.....(140cm x 96cm x 62cm)

WEIGHT

Dry Weights

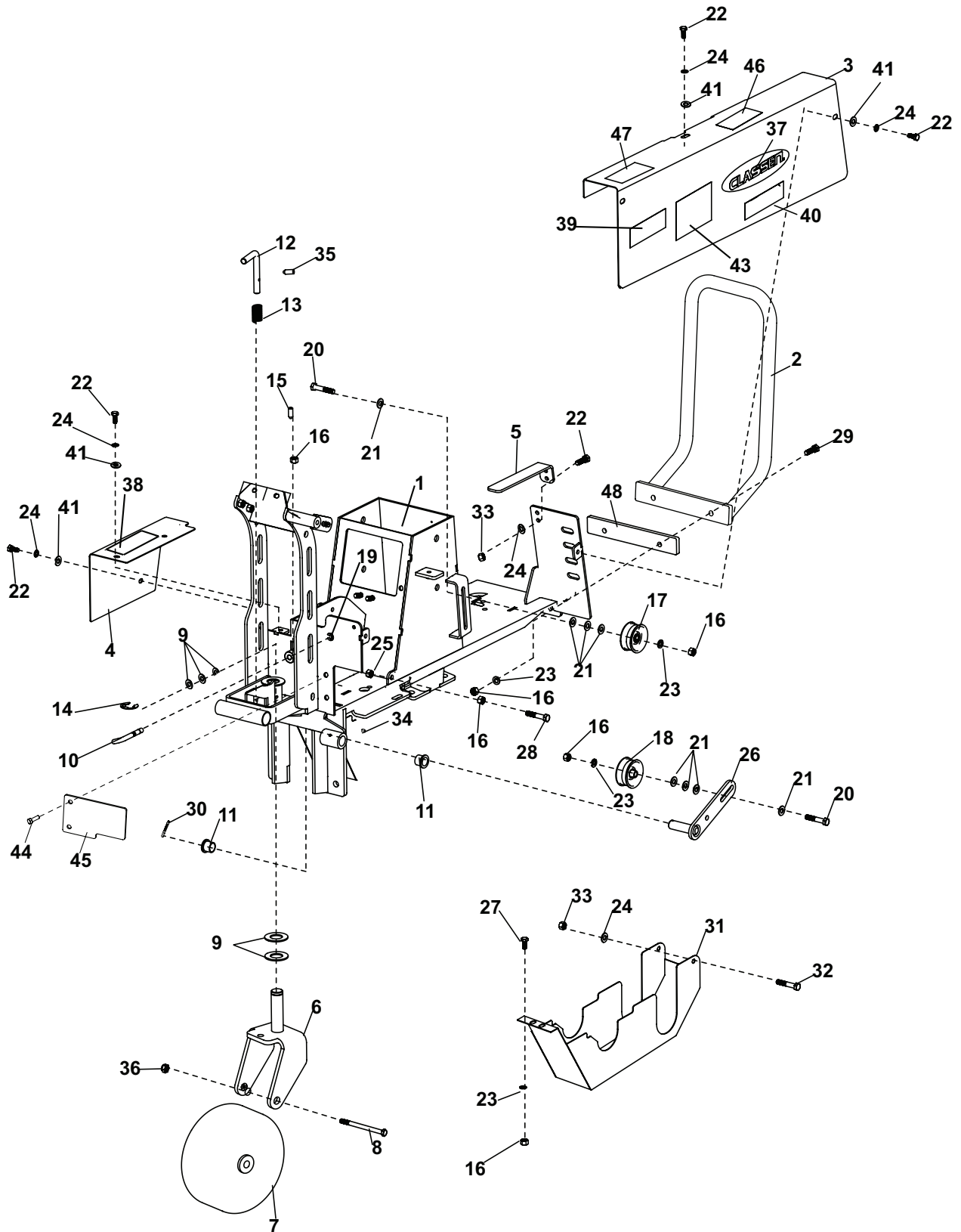
HSC185E..... 337 lbs.(153kg)

HSC188E..... 360 lbs. (164kg)

MAIN FRAME ASSEMBLY

PRO SOD CUTTER

FIGURE 1



PRO SOD CUTTER

MAIN FRAME ASSEMBLY

FIGURE 1

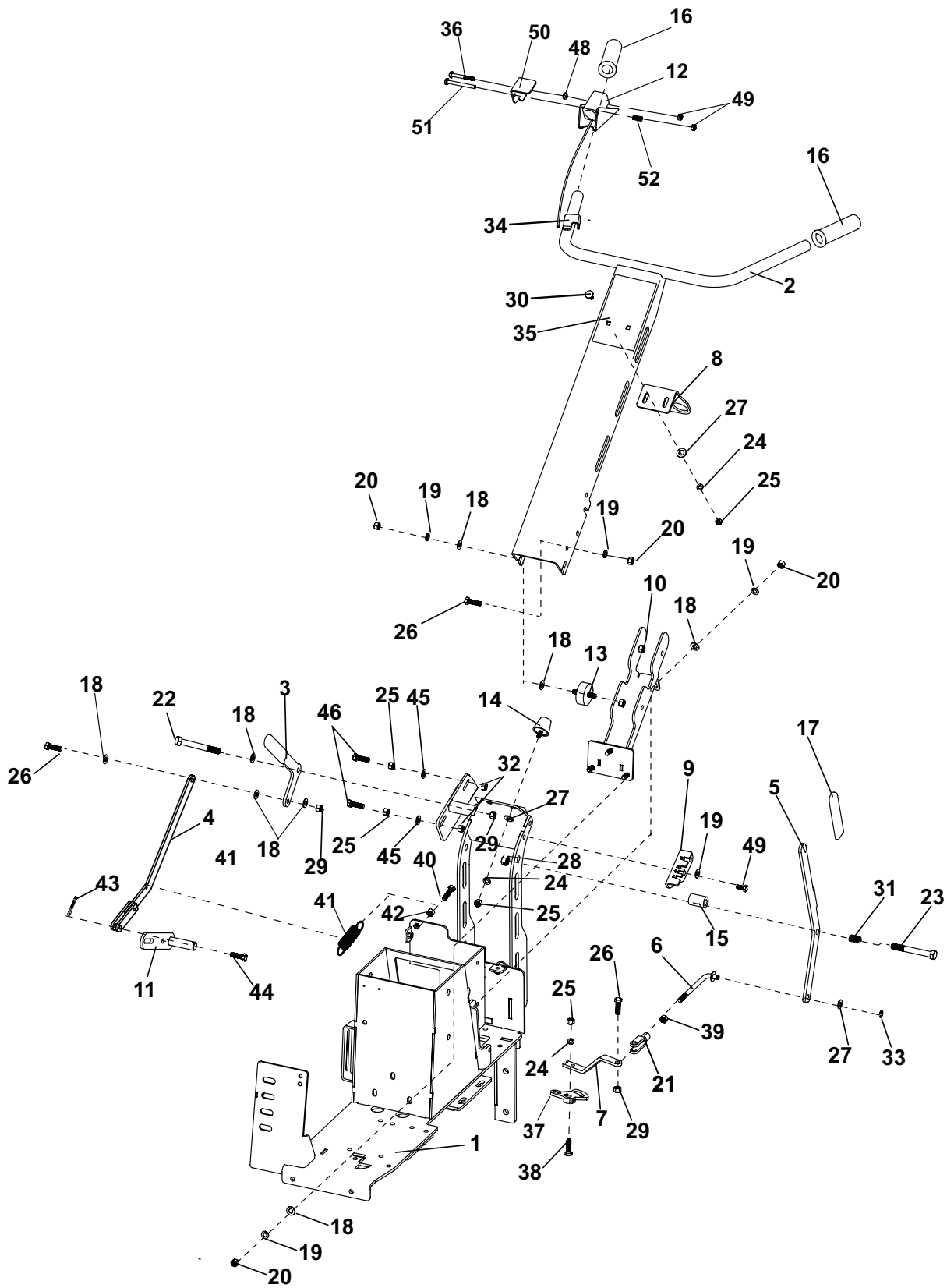
ITEM	PART NO.	DESCRIPTION	QTY	ITEM	PART NO.	DESCRIPTION	QTY
1	4172975	S-MAIN BODY HSC18	1	27	C500043	BOLT, 3/8-16 X 1	2
2	C400237.17	BUMPER	1	28	C500154	BOLT, 3/8-16 X 2-3/4	1
3	4172976	S-SHIELD,BELT, MAIN (INCLUDES ITEMS 43, 46 &47)	1	29	C500134	BOLT, 3/8-16 X 1-1/4 (USED ON 5.5HP MODEL)	2
4	4171227.17	GUARD,CHAIN, HYDROSTAT	1		C500146	BOLT-3/8-16 X 1-1/2 (USED ON 8 HP MODEL)	2
5	4172383.7	GUARD, FINGER HSC185	1	30	C500016	PIN, 5/32" X 1-1/4" COTTER	1
6	4171193.7	FORK-SWIVEL WHEEL	1	31	4173099.7	CHAIN GUARD	1
7	C100017	TIRE & WHEEL ASSY (9X350X4)	1	32	C500219	BOLT, 5/16 X 5	1
8	90-1048	BOLT-5/8-11 X 6 NC	1	33	C500101	NUT, 5/16-18	3
9	64163-64	WSHR 1.015X1.500X14GA	5	34	C500001	GREASE FITTING, 1/4 X 28	2
10	C400251	HANDLE, NEUTRAL	1	35	C100617	PIN-ROLL	1
11	C100021	BUSHING, BRASS	2	36	64229-16	NUT-NYLON LOCK 5/8-11	1
12	C300203	L-PIN, SWIVEL WHEEL	1	37	4171963	DECAL, CLASSEN FLAT BLACK	1
13	C100601	SPRING, SC SWIVEL WHEEL	1	38	C100559	DECAL-LUBRICATE	1
14	64221-1	E-RING 25MM/1.000	1	39	4171824	LABEL - HSC18	2
15	C100501	PIN, 3/8" VLIER	1	40	4171825	LABEL - CLASSEN PRO	1
16	C500129	NUT, 3/8-16	7	41	C500083	WASHER-5/16 FLAT	12
17	C100010	PULLEY-IDLER	1	42*	C100490	HYDRO MANUAL ROLL DECAL	1
18	38010-2A	IDLER PULLEY	1	43	C100506	DECAL, CE SERVICE BELTS	2
19	64221-07	E-RING .375	1	44	64152-86	SCREW-SP 1/4-20X3/8	1
20	C500091	BOLT, 3/8-16 X 2	2	45	4172938.17	GUARD-PULLEY	1
21	C500042	WASHER, 3/8 FLAT	7	46	C100504	DECAL-SPARK ARRESTOR	1
22	C500140	BOLT, 5/16-18 X 3/4	7	47	C100607	DECAL-12 DEGREE WARN	1
23	C500130	WASHER, 3/8 LOCK	5	48	20557.17	PLT-SPACER BUMPER (USED ON 8HP ONLY)	1
24	C500115	WASHER, 5/16 LOCK	8				
25	64268-03	NUT-3/8-16 NYLOCK	1				
26	C400443.7	ARM, BLADE CLUTCH HYDRO	1				

* NOT ILLUSTRATED

HANDLE ASSEMBLY

PRO SOD CUTTER

FIGURE 2



PRO SOD CUTTER

HANDLE ASSEMBLY

FIGURE 2

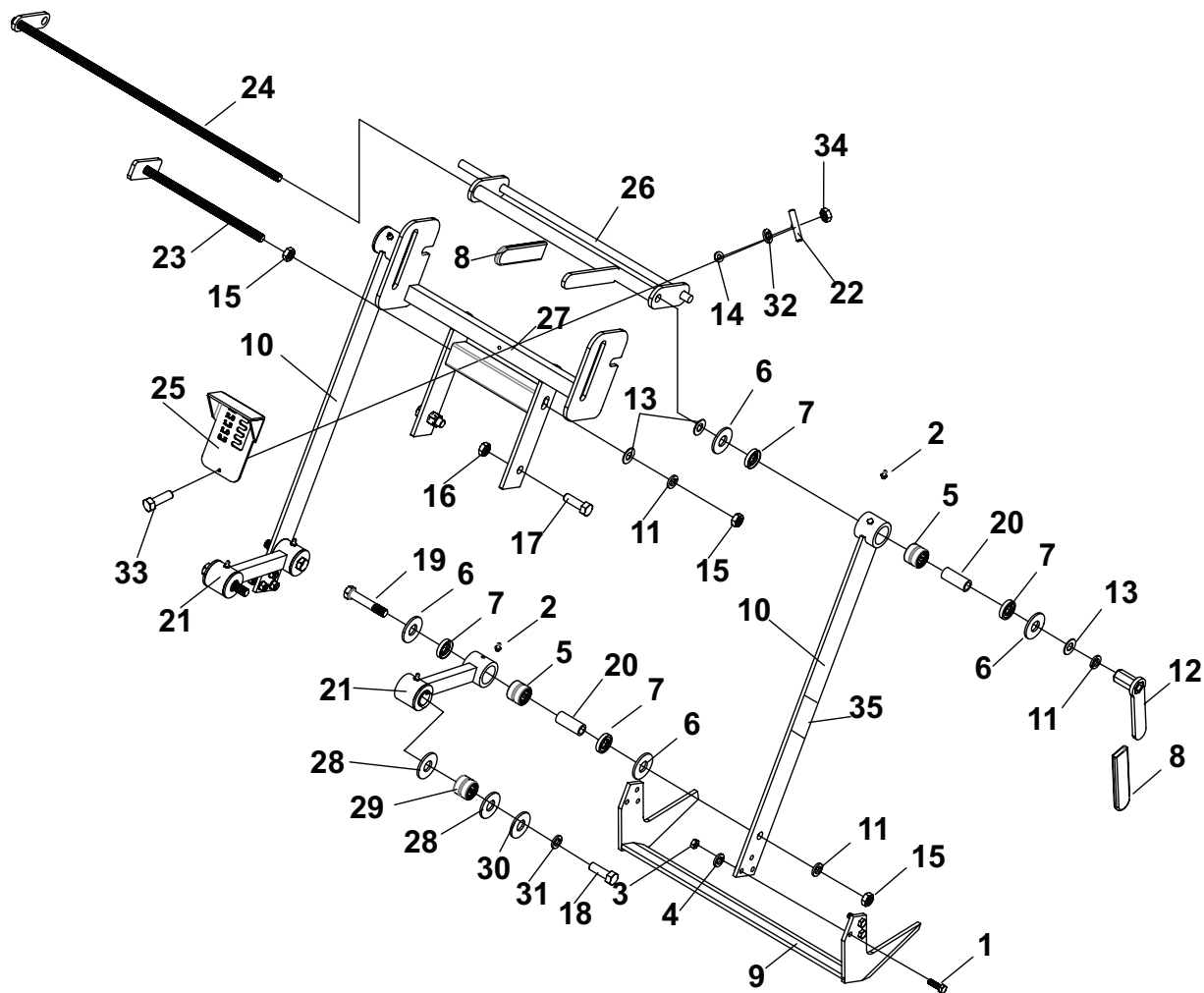
ITEM	PART NO.	DESCRIPTION	QTY	ITEM	PART NO.	DESCRIPTION	QTY
1	4172975	S-MAIN BODY HSC18	1				
2	4172978	S-MAIN HANDLE HSC18 (INCLUDES ITEMS 34 & 35)	1				
3	4171190.7	WLDMNT-HANDLE, ENGAGEMENT	1				
4	4171914.7	LINKAGE-ENGAGEMENT RH	1				
5	4171191.7	WLDMNT-HANDLE, CONTROL	1				
6	4171192	WLDMNT-HYDRO LINK	1				
7	4171228.7	ARM-SHIFTER	1				
8	4171229.7	DAMPENER-ISOLATION	1				
9	4171230.7	PLATE-SPEED SELECTOR	1				
10	4171194.7	BRKT-MOUNTING, RUBBER	1				
11	C400443.7	ARM, BLADE CLUTCH HYDRO	1				
12	C100486	FINGER THROTTLE AND CABLE	1				
13	C100546	MOUNTS, VIBRATION	4				
14	C100635	RUBBER BUSHING, TAPERED	2				
15	4171701.7	BUSHING - 1/2ID X 1-1/2L	1				
16	C100018	GRIP LH HANDLE	2				
17	C100007	GRIP-BRAKE	2				
18	C500042	WASHER, 3/8 FLAT	14				
19	C500130	WASHER, 3/8 LOCK	9				
20	C500129	NUT, 3/8-16	15				
21	C500026	YOKE, 3/8 CLEVIS	1				
22	64123-328	BOLT-HEX 3/8-16 X 4-1/4	1				
23	90-0826	BOLT 1/2-13 X 3-1/4 NC	1				
24	C500115	WASHER, 5/16 LOCK	5				
25	C500101	NUT, 5/16-18	7				
26	C500134	BOLT, 3/8-16 X 1-1/4	7				
27	C500083	WASHER, 5/16 FLAT	2				
28	C500131	NUT, 1/2-13 LOCK	1				
29	C500041	NUT, 3/8-16 LOCK	2				
30	C500163	BLT-CRG 5/16-18 X 3/4	2				
31	C500065	SPRING-SPEED STOP	1				
32	64268-08	NUT-FL NYLON LOCK 5/16-18	2				
33	64221-07	E-RING .375	1				
34	4171618	LABEL-THROTTLE HSC18	1				
35	4172918	LABEL-WARNING EU	1				
36	C500183	BOLT, 1/4-20 X 2	1				
37	C400249-1	CLUTCH ARM SCHV	1				
38	C500133	BOLT-5/16-18 X 1	1				
39	C500025	NUT-3/8-24	1				
40	C500029	BOLT-1/4-20 X 3/4	1				
41	C100034	SRING-1/4-20	1				
42	C500136	NUT-1/4-20	1				
43	02-CP0508	COTTER PIN 5/32 X 1 ZP	1				
44	64188-03	S-PIN CLEVIS 3/8X1-1/8	1				
45	C500088	WASHER-1/4 FLAT	2				
46	C500074	BOLT-5/16-18 X 1-3/4	2				
47	C500043	BOLT-3/8-16 X 1	2				
48	4173112	GROMMET	1				
49	C500139	NUT-LOCK 1/4"	2				
50	4173087.17	BRKT-THROTTLE FRICTION	1				
51	64123-330	BOLT-1/4 X 2 1/2	1				
52	4173113	SPRING	1				

* NOT ILLUSTRATED

CUTTER ASSEMBLY

PRO SOD CUTTER

FIGURE 3



**PRO
SOD CUTTER**

CUTTER ASSEMBLY

FIGURE 3

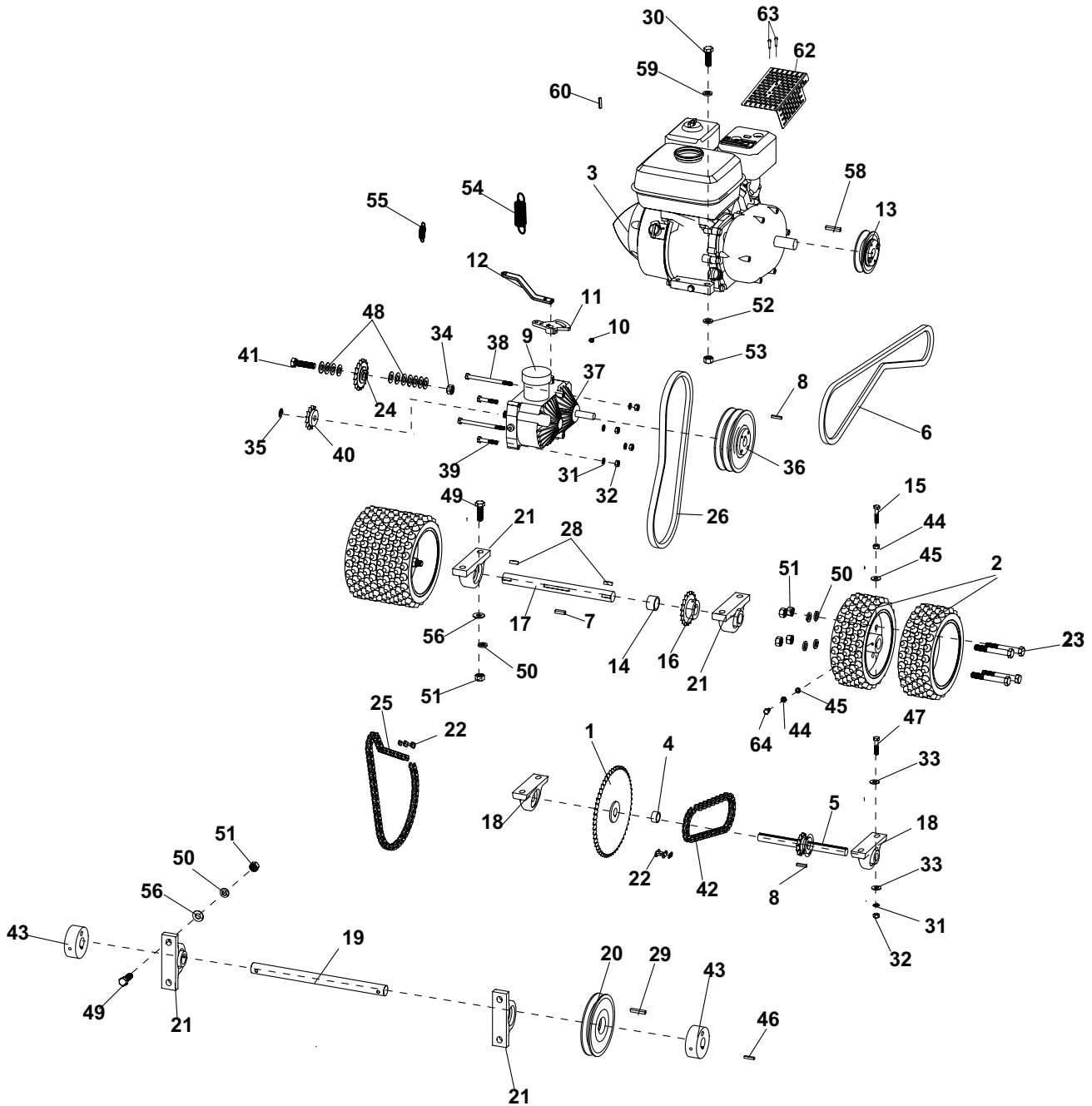
ITEM	PART NO.	DESCRIPTION	QTY	ITEM	PART NO.	DESCRIPTION	QTY
1	64123-329	BOLT, 5/16-24 x 1	6				
2	C500001	GREASE FITTING, 1/4 x 28	6				
3	64025-51	NUT, 5/16-24	6				
4	C500115	WASHER, 5/16 LOCK	6				
5	C100003	BEARING	4				
6	C100001	WASHER, 3/4 NYLON	8				
7	C100002	SEAL	8				
8	C100007	GRIP, RUBBER	2				
9	C100016.7	BLADE, 18" CUTTING	1				
10	4172185	ARM, BLADE (INCLUDES ITEM 35)	2				
11	C500006	WASHER, 1/2 LCOK	4				
12	C500007.7	NUT, 1/2 HANDLE	1				
13	C500034	WASHER, 1/2 FLAT	6				
14	C500088	WASHER, 1/4" FLAT	1				
15	C500106	NUT, 1/2-13	4				
16	C500131	NUT, 1/2-13 LOCK	2				
17	C500241	BOLT, 1/2-13 x 1	2				
18	C500249	BOLT, FINE THREADED	2				
19	C500152	BOLT, 1/2-13 X 2-3/4	2				
20	C600001	STEEL SLEEVE	4				
21	C400411.7	ARM, ECCENTRIC ENHANCED	2				
22	4172692	KNOB-PLASTIC	1				
23	C200004.7	BOLT ,PITCH ADJUSTMENT	1				
24	C200005.7	BOLT, HEIGHT ADJUSTMENT	1				
25	C300039.17	PLATE, DEPTH GAUGE	1				
26	C400001.7	BAR, HIEGHT ADJUSTMENT	1				
27	C400238.7	PITCH ADJUSTMENT BAR	1				
28	C100626	WASHER, PLASTIC 1/4" ENHCD	4				
29	C100625	BEARING, ENHANCED	2				
30	C400412.7	WASHER, STEEL ENHANCED	2				
31	C500272	WASHER, 1/2" EXT. TOOTH LOCK	2				
32	C500137	WASHER, 1/4 LOCK	1				
33	C500296	BOLT, 1/4 x 2-1/2 CARRIAGE	1				
34	C500068	NUT, 1/4-20 NYLOC	1				
35	4163589	LABEL-CHF VERT EU	2				

* NOT ILLUSTRATED

POWER TRAIN ASSEMBLY

PRO SOD CUTTER

FIGURE 4



PRO SOD CUTTER

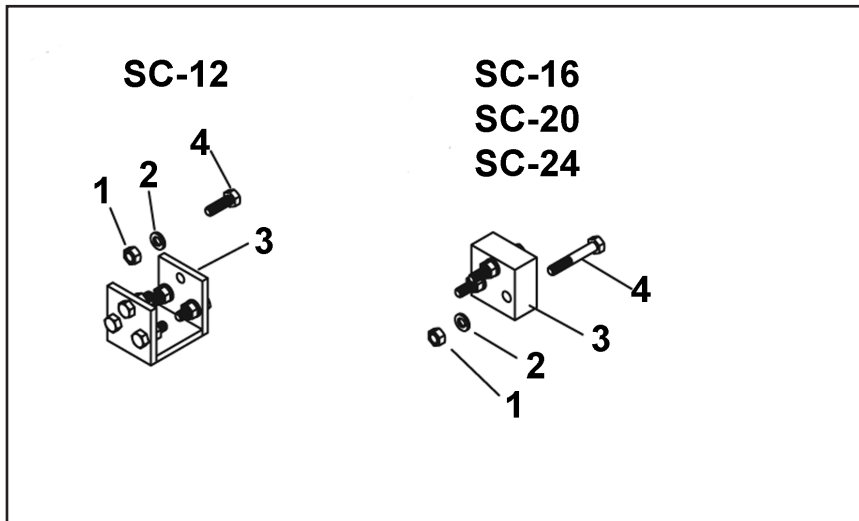
POWER TRAIN ASSEMBLY

FIGURE 4

ITEM	PART NO.	DESCRIPTION	QTY	ITEM	PART NO.	DESCRIPTION	QTY
1	C100493	SPROCKET, #40x54 w/ HUB	1	47	C500147	BOLT, 5/16-18 x 1-1/2	4
2	C700024	S-WHEEL, 8-5/8 DRIVE	4	48	C500034	WASHER, 1/2 FLAT	18
3	C100005	ENGINE HONDA 5.5HP	1	49	C500174	BOLT, 1/2-13 x 1-3/4	8
	C100114	ENGINE-HONDA 8HP		50	C500006	WASHER, 1/2 LOCK	16
4	C300204	SPACER, 3/4" JACK SHAFT	1	51	C500106	NUT, 1/2-13	16
5	C200056	S-SPROCKET W/ SHAFT1		52	C500130	WASHER, 3/8 LOCK	4
6	C100491	B55 V-BELT FOR 5.5HP	1			(FOR 8HP MODELS)	
	C100503	B58 V-BELT FOR 8 HP			C500115	WASHER, 5/16 LOCK	
						(FOR 5.5HP MODELS)	
7	C500004	KEY, 1/4 x 1 SQUARE	3	53	C500129	NUT, 3/8-16	4
8	C500011	KEY, 3/16 SQUARE X 1	2			(FOR 8HP MODELS)	
9	C100339	RESERVOIR, HYDROSTAT	1		C500101	NUT-5/16-18	
10	C500259	SET SCREW, 5/16-24 x 3/8	1			(FOR 5.5HP MODELS)	
11	C400249-1	CLUTCH ARM, SCH	1	54	C100027	SPRING, THROTTLE	1
12	4171228.7	SHIFTER ARM, SCH	1	55	C100501	SPRING, PLUNGER	1
13	C100028	PULLEY W/HUB & BOLTS	1	56	64163-67	WSHR-.516X1X12GA	8
14	C300001	SPACER, DRIVE SHAFT	1	57*	B222522	DEFLECTOR, EXHAUST	1
15	C500029	BOLT, 1/4-20 x 3/4	2			(USED ON 5.5HP ONLY)	
16	C200001	SPROCKET W/HUB, DRIVE SHAFT	1	58	C500036	KEY-7MM SQUARE	1
17	4171051	SHAFT, 12" DRIVE	1	59	C500042	WASHER, 3/8 FLAT	4
18	C100013	BEARING W/ ECCENTRIC, 3/4"	2			(USED ON 8HP MODEL)	
19	C600003	SC-18 1" ECCENTRIC SHAFT	1		C500083	WASHER, 5/16 FLAT	4
20	C200002	PULLEY W/HUB & BOLTS, 6"	1			(USED ON 5.5HP MODEL)	
21	C100004	BEARING W/ECCENTRIC, 1"	4	60	C100244	WIRE SWIVEL	1
22	C100025	LINK, #40 CONNECTING	2	61*	4161646	PLUG-OIL (8HP ONLY)	1
23	C500158	BOLT, 1/2-13 x 3-1/2	8	62	C400322.7	GUARD-MUFFLER 5.5HP	1
24	C100043	SPROCKET, #40x17x1/2 IDLER	1		C400323.7	GUARD-MUFFLER 8HP	
25	C100494	#40 X 76 ROLLER & CON LINK	1	63	C500274	SCREW-M5X.8 X 1-1/8	2
26	C100513	B38 V-BELT	1	64	64123-114	BLT-HEX 1/4-20 X1	2
27	C500001	GREASE FITTING, 1/4 x 28	4				
28	64164-51	KEY-SQ 1/4 X 1-1/4 ROUNDED	2				
29	C500181	KEY, 1/4 x 1-1/2 SQUARE	1				
30	C500079	BOLT, 3/8-16 x 1-3/4	4				
		(FOR 8HP MODELS)					
	C500147	BOLT-5/16-18 X 1-1/2					
		(FOR 5.5HP MODELS)					
31	C500115	WASHER, 5/16 LOCK	6				
32	C500101	NUT, 5/16-18	6				
33	C500083	WASHER, 5/16 FLAT	4				
34	C500131	NUT, 1/2-13 LOCK	1				
35	C100433	RING, 1/2" SNAP	1				
36	C200054	S-SHEAVE, 2BK62H BUSHING	1				
37	C100311	HYDROSTAT	1				
38	C500168	BOLT, 5-16-18 x 4-1/2	2				
39	C500074	BOLT, 5/16-18 X 1-3/4	2				
40	C200044	SPROCKET, 13 TOOTH	1				
41	C500135	BOLT, 1/2-13 x 21/2	1				
42	C100495	#40 X 50 ROLLERS & CON LINK	1				
43	C700035.7	HUB, ECCENTRIC	2				
44	C500136	NUT, 1/4-20	4				
45	C500137	WASHER, 1/4 LOCK	4				
46	C500003	KEY-1/4 X7/8 HALF MOON	2				

***NOT ILLUSTRATED**

BLADE CONVERSION KITS:



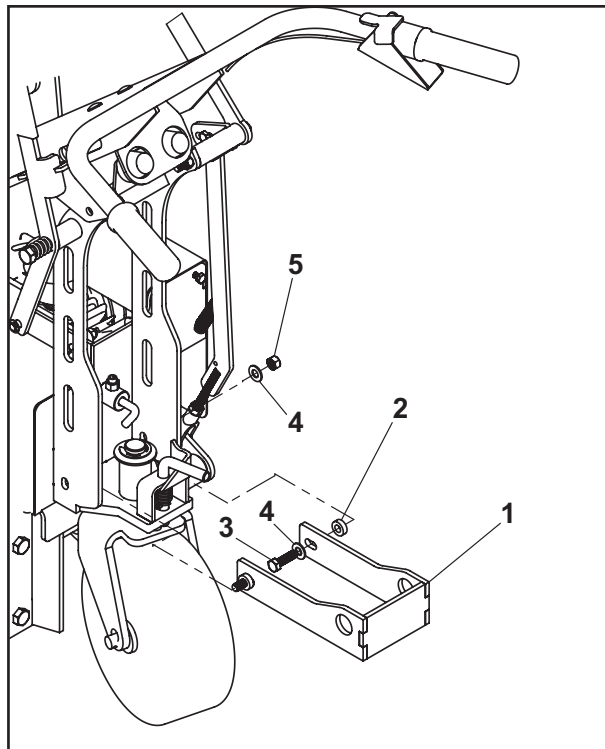
KITS:

- C900007 20" BLADE CONVERSION KIT
- C900014 12" BLADE CONVERSION KIT
- C900019 24" BLADE CONVERSION KIT
- C900037 16" BLADE CONVERSION KIT

ITEM	PART NO.	DESCRIPTION	QTY
1	C500115	WASHER, 5/16 LOCK	16
2	C500101	NUT, 5/16-18	2
3	C400011	12" BLADE ADAPTOR	2
	C300417	16" BLADE ADAPTOR	2
	C300047	20" BLADE ADAPTOR	2
	C400188	24" BLADE ADAPTOR	2
4	C500142	5/16" x 2" BOLT (SC-16, SC-20, SC-24)	6
	C500133	5/16" x 1" BOLT (SC-12)	12

NOTE: THIS TRAILER HITCH IS FOR CLASSEN AST AERATOR/SODCUTTER TRAILER

TRAILER HITCH KIT (970544)



Item	P/N	Description	Qty
1	4172014.7	WLDMNT-HSC18 TRAILER HITCH	1
2	33148-01	SPACER-.379X.75X.25	2
3	C500134	BLT-3/8-16 X 1-1/4	2
4	C500042	WSHR-3/8" FLAT	4
5	C500041	NUT-3/8-16 LOCK	2

CLASSEN[®] 2 YEAR LIMITED SERVICE AND WARRANTY POLICY

Schiller Grounds Care, Inc.
1028 Street Road • Southampton, PA 18966
Telephone: 1-877-596-6337

TWO YEAR LIMITED WARRANTY

Effective January 1, 2015

For the period of two years from the date of purchase, CLASSEN will repair or replace for the original purchaser free of charge, any part or parts found upon the examination of our factory authorized service station, or by the factory in Southampton, PA to be defective in material or workmanship. All transportation charges on parts submitted for repair or replacement under this warranty shall be borne by the purchaser.

This warranty does not include engines or engine parts, tires, batteries, or gearboxes that are covered under separate warranties furnished by their manufacturer or supplier, nor does it include normal maintenance parts, including but not limited to, spark plugs, points, filters, blades, and lubricants.

All service under this warranty will be furnished or performed by our factory authorized service stations.

There is no other expressed warranty. Implied warranties, including those of merchantability and fitness for a particular purpose, are limited to two years from the date of purchase and to the extent permitted by law, any and all implied warranties are excluded. The above remedy of repair and replacement of defective parts is the purchaser's exclusive remedy for any defect, malfunction or breach of warranty. Liability for incidental or consequential damages under any and all warranties is excluded to the extent permitted by law.

NORMAL RESPONSIBILITIES OF THE SELLER AND THE USER

1. The Distributor or Dealer is responsible for the proper assembly and preparation of the product for delivery to the end user.
2. The User is responsible for reading the Manual and Instructions.
3. The User is responsible for proper operation and maintenance as described in the manual.
4. The User is responsible for the replacement of wear items such as blades, belts, tires, batteries, etc.
5. The User is responsible for damage due to improper operation and maintenance, as well as abuse.

All claims must be received by the factory 30 days after the end of the warranty period to receive warranty consideration.

CLASSEN[®]
SCHILLER GROUNDS CARE, INC.
1028 STREET ROAD, P.O. BOX 38
SOUTHAMPTON, PA 18966
PHONE 877-596-6337 • FAX 215-357-8045